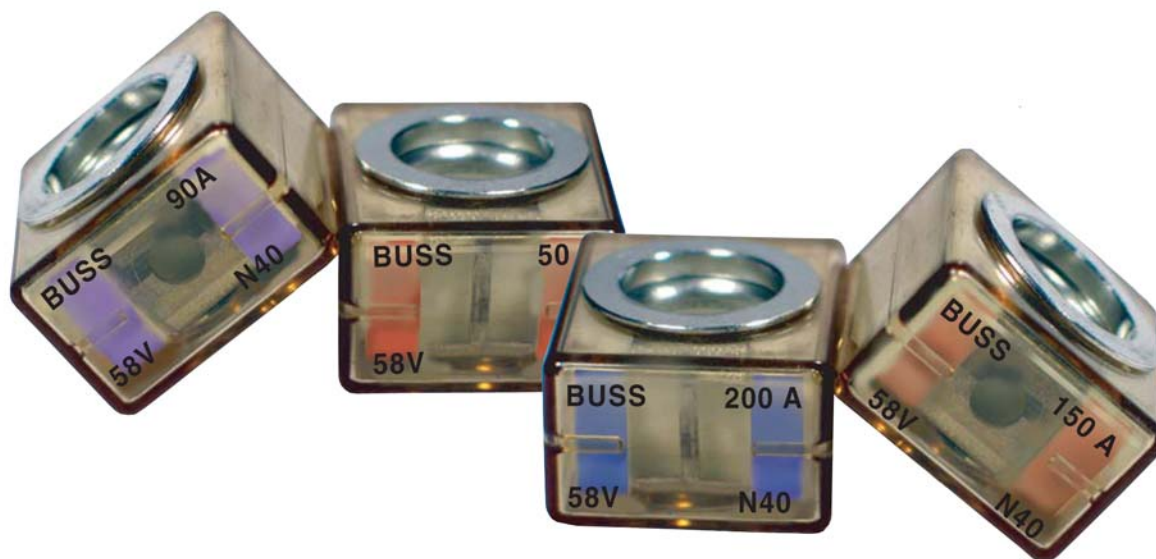


# Marine Rated Battery Fuse



## About MRBF-XXX Series Marine Rated Battery Fuse

Designed for the most demanding environment to provide high current protection for the tightest space constraints. Suitable for main and auxiliary circuit protection such as alternator outputs, starter motor inputs and accessory circuits. The breaking capacity meets the requirements of conventional vehicle batteries and 12V, 24V and 42V electrical networks.

### Operating Times

Rating	100%	135%	200%	350%	600%
30A - 300A	> 100 h	Max 900 sec	max. 60s	min. 0.1s	max. 1 s < 0.2s

### Specifications

**Applications:** Full range circuit protection for automotive and marine applications. Break in capacity meets the requirements of conventional vehicle batteries and 42V electrical networks

**Voltage Rating:** 58Vdc Maximum

**Amperage Rating:** 30A - 300A

**Ingress Protection:** IP66

**Ignition Protected:** Per SAEJ1117

**Interrupt Rating:**

10000 AMP @ 14Vdc

5000 AMP @ 32Vdc

2000 AMP @ 58Vdc

Color Coded (see next page)

**Torque Rating:** Maximum 12 N•m (106 in-lbs)

**Material:**

Body - Ceramic

Housing & Cover: UL-rated 94V0 Thermoplastic

Ring Terminals - Tin Plated

**Compliances:** ISO 8820-6

### CF Cover



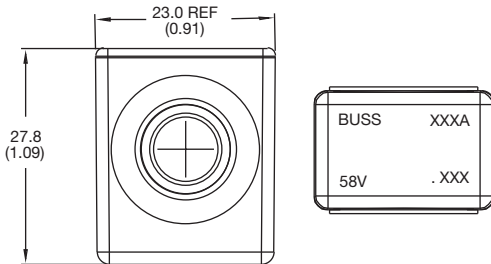
### CF Bar



# Marine Rated Battery Fuse

## MRBF Dimensions - mm(in)

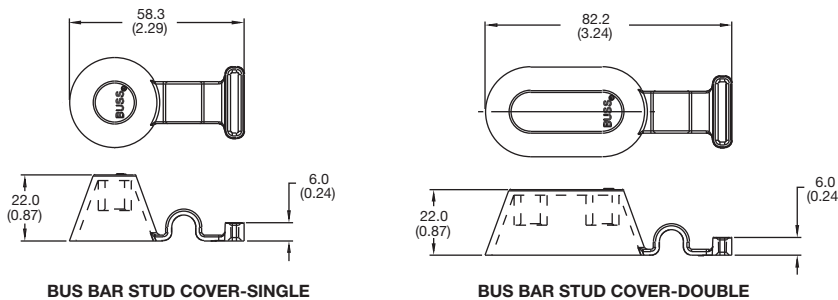
## Part Numbering System



Fuse Amperages  
**MRBF - X X X**

- 030 - 30 AMPS [ LT GREEN ]
- 040 - 40 AMPS [ LT BLUE ]
- 050 - 50 AMPS [ RED ]
- 060 - 60 AMPS [ GOLD ]
- 075 - 75 AMPS [ BROWN ]
- 080 - 80 AMPS [ LIME ]
- 090 - 90 AMPS [ PURPLE ]
- 100 - 100 AMPS [ YELLOW ]
- 125 - 125 AMPS [ GREEN ]
- 150 - 150 AMPS [ ORANGE ]
- 175 - 175 AMPS [ WHITE ]
- 200 - 200 AMPS [ BLUE ]
- 225 - 225 AMPS [ TAN ]
- 250 - 250 AMPS [ PINK ]
- 300 - 300 AMPS [ GREY ]

## CF Cover Dimensions - mm(in)

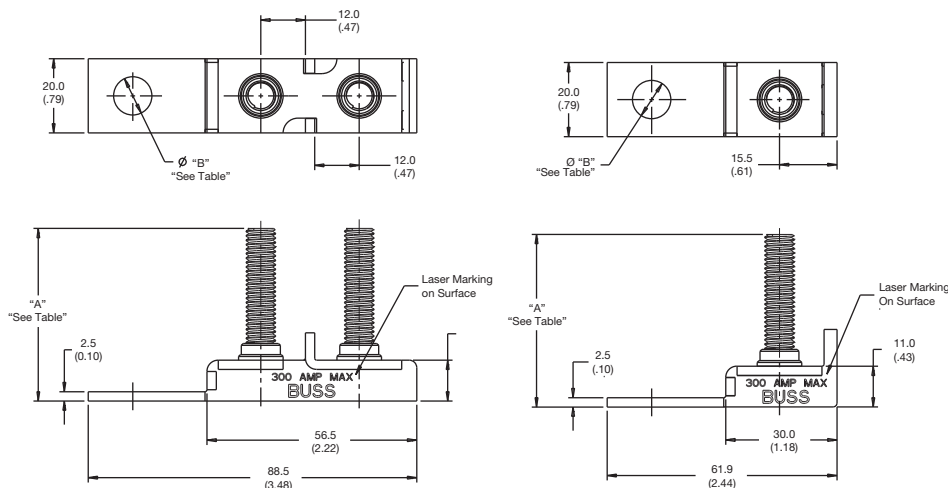


Material and Finish Table		
Part Number	MATERIAL	COLOR
CFCOVER-XB	SANTOPRENE	BLACK
CFCOVER-XR	SANTOPRENE	RED

## CFCOVER-XX

- Cover Color
  - B - Black
  - R - Red
- Stud
  - 1 - Single Stud
  - 2 - Double Stud

## CF Bar Dimensions - mm(in)



## Table:

Part #	DIM. "A"	DIM. Ø "B"
CFBAR1 - 250SP	44.5 [1.75]	10.3 [0.405]
CFBAR1 - M8XSP	46.5 [1.83]	10.3 [0.405]
CFBAR1 - 250BP	44.5 [1.75]	13.5 [0.531]
CFBAR1 - M8XBP	46.5 [1.83]	13.5 [0.531]
CFBAR2 - 250SP	44.5 [1.75]	10.3 [0.405]
CFBAR2 - M8XSP	46.5 [1.83]	10.3 [0.405]
CFBAR2 - 250BP	44.5 [1.75]	13.5 [0.531]
CFBAR2 - M8XBP	46.5 [1.83]	13.5 [0.531]

## CFBARX - XXXXP

- S - 3/8" Mounting Hole
- B - 1/2" Mounting Hole
- 250 - 1/4-20 stud
- M8X - M8 stud
- 1 - Single Stud
- 2 - Double Stud